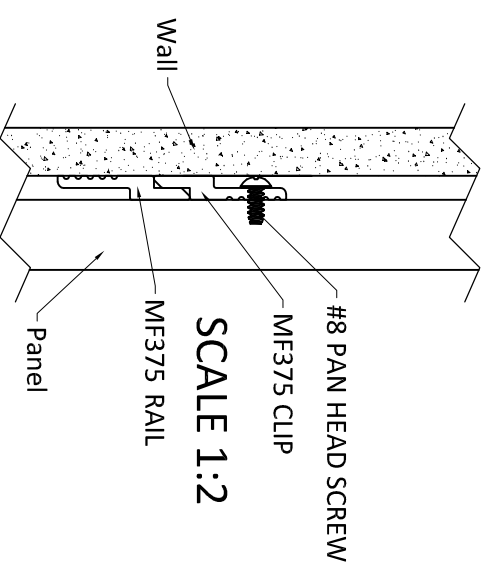
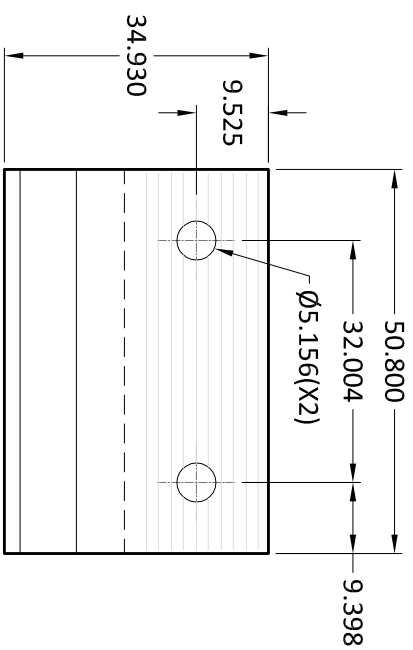
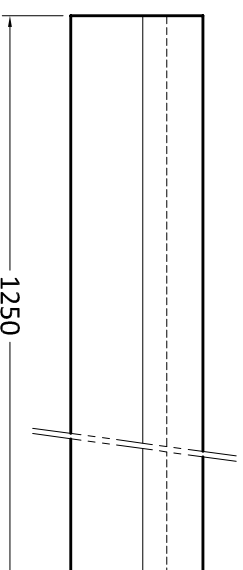


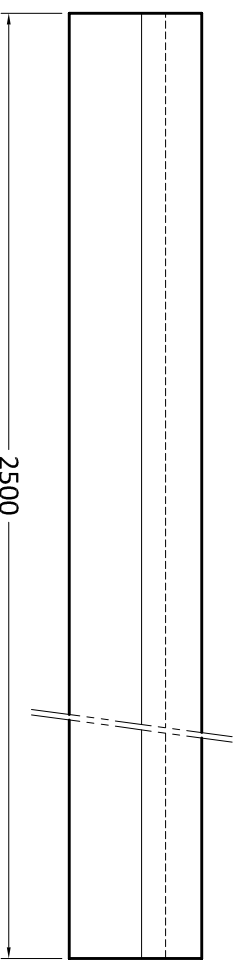
SCALE 1:1



SCALE 1:2



SCALE 1:2 WEIGHT:  $\approx 0.100$  KG/300MM



MF375  
WEIGHT:  $\approx 0.016$  KG  
SCALE 1:1