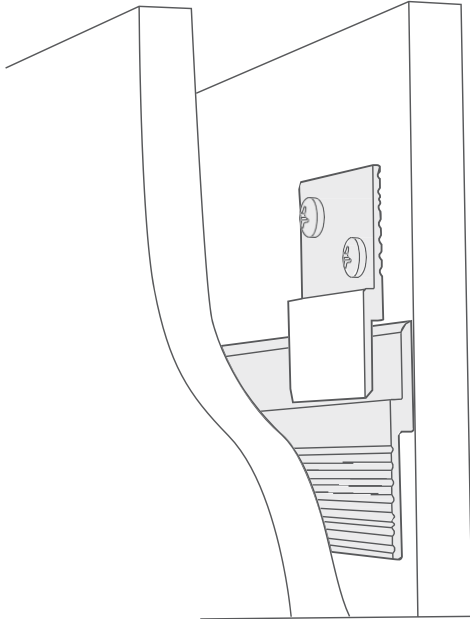


Z BAR HANGING SYSTEM

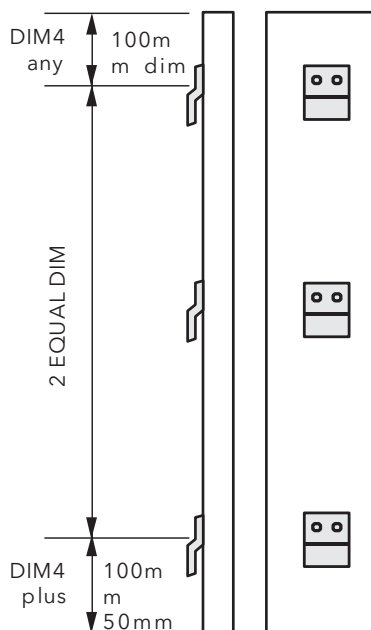


The key advantages of the Z Hanger system are:

No visible screws or nails on the surface of the mounted panel

Simplicity of installation

Strength and security of the mounting



For a typical 2500x1220mm wide panel, customers mount the continuous lengths along the wall at 3 different heights parallel with the floor. These are secured to framing at 400mm on center or to blocking at 200mm on center.

The shorter panel clips are secured to the back of the panel every 300-400mm horizontally.

To match fastener locations on the panel with those on the wall a single template can be used, or one can use a story pole.

Installation of the panel is accomplished by simply dropping the panel onto the continuous lengths mounted along the wall.

METALCITI recommends a #8 or 5.5mm Pan Head screw for attaching the shorter panel hangers to the back side of MDF or particle board panels.

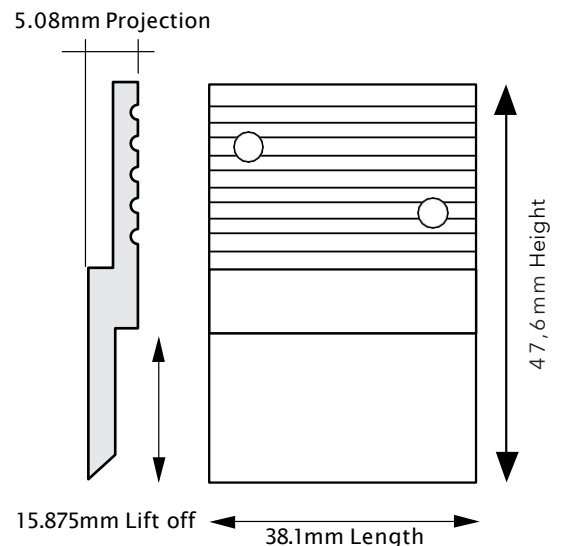
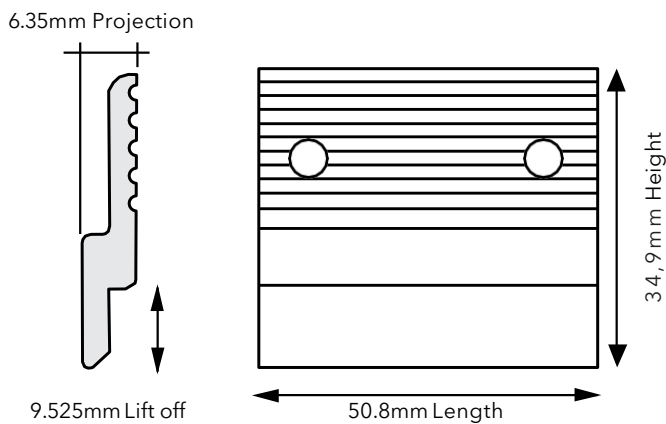
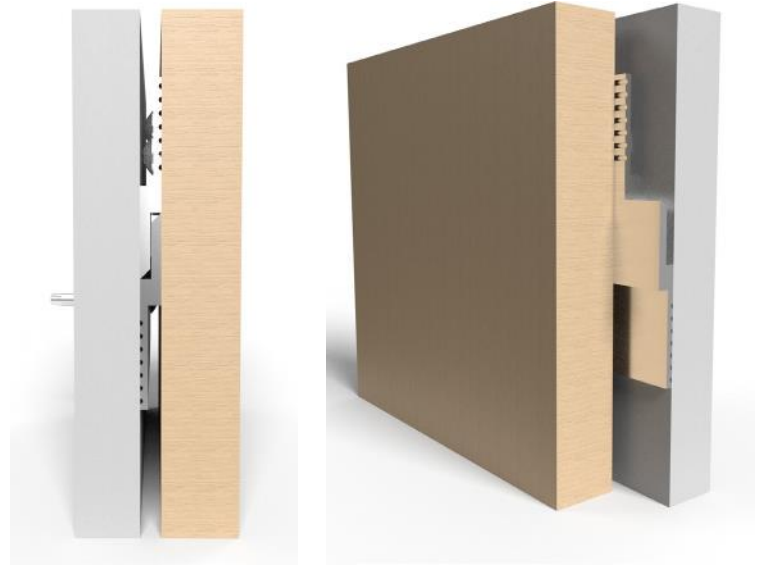
We recommend that, for using the METALCITI Z Bar system, the height of the head of the screw must be less than 3.2mm for our standard Z Bar Hangers.

METALCITI

PRO HANGING SOLUTIONS

MF375

MF625



TECHNICAL SPECS	MF375
Material	Aluminium
Z Bar Hanger Height	34,9mm
Z Bar Hanger Length	50,8mm
Z Bar Rail Length*	1250mm, 2500mm * Customized lengths available
Lift Off (1)	9,5mm
Projection (2)	6,4mm

TECHNICAL SPECS	MF625
Material	Aluminium
Z Bar Hanger Height	47,6mm
Z Bar Hanger Length	38,1mm
Z Bar Rail Length*	1250mm, 2500mm * Customized lengths available
Lift Off (1)	15,9mm
Projection (2)	4,8mm

(1) The "Lift-Off" is the amount you need to raise the panel over its resting height to mount the panel.

(2) The "Projection" is the distance that the panel sits out from the wall.